

**ADDENDUM 1
TO THE CONTRACT PROVISIONS AND CONTRACT PLANS**

FOR

**CITY OF RIDGEFIELD
EQUIP ABRAMS PARK WELL 11**

G&O #18274

ISSUED THIS DATE: WEDNESDAY, MAY 6, 2020

**BID OPENING: 10:00 A.M. (LOCAL TIME) ON
TUESDAY, MAY 12, 2020
CITY OF RIDGEFIELD
230 PIONEER STREET
RIDGEFIELD, WASHINGTON 98642**



Bidder shall acknowledge receipt of this Addendum on Page 15 of the Proposal.

TO PROSPECTIVE BIDDERS:

The attention of all prospective bidders on the above project is directed to the following additions and modifications to the Contract Provisions and Contract Plans.

I. ADDITIONS, MODIFICATIONS, AND/OR DELETIONS TO THE PLANS

ITEM 1:

SHEET E-3, ELECTRICAL SITE PLAN

ADD the following note:

- “2. LOCATE AND INTERCEPT EXISTING CONDUIT P0302 BETWEEN THE ELECTRICAL/CONTROLS AND CHLORINATION BUILDINGS. INSTALL A NEW HANDHOLE (PER THE DETAIL ADDED IN ADDENDUM 1) AND EXTEND NEW CONDUITS ASSOCIATED WITH THE METERING PUMPS TO THE CHLORINATION BUILDING PER THE CABLE AND CONDUIT SCHEDULE.”

ITEM 2:

SHEET E-3, ELECTRICAL SITE PLAN

ADD a callout “See Note 2” under the conduit tag P0302.

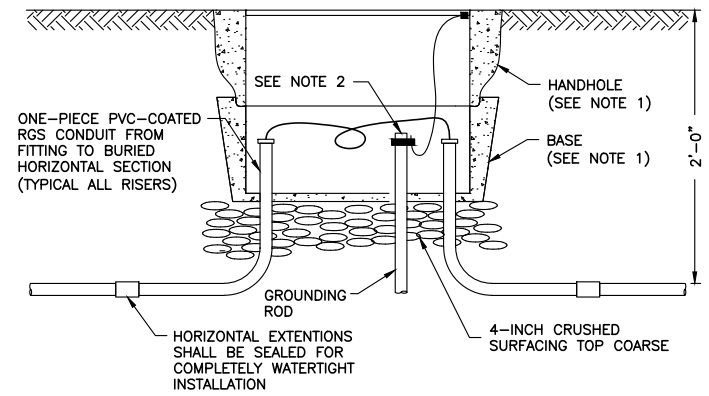
ITEM 3:

SHEET E-4, ONE LINE DIAGRAM

ADD a callout "See Note 7" under the service disconnect switch [02 SDS 03] in the one line diagram.

REVISE Note 7 as follows (red, italicized text has been added and bolded text with strike through has been removed):

"PROVIDE A NEMA 3R ENCLOSURE FOR [02 SDS 03] THAT IS ~~NEMA 4X~~, LOCKABLE IN THE OPEN POSITION. REFERENCE SPECIFICATION 16410, DISCONNECT SWITCHES FOR POWER CIRCUITS > 30 AMPS. "

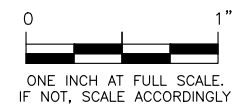


NOTES:


1. FOGTITE INC. #2SL HANDHOLE COMPLETE WITH GALVANIZED STEEL LID, RATED H-20 LOADING, WITH POSITIVE LOCK, AND WITH #2SL BASE. FURNISH AND INSTALL PULL BOX ASSEMBLY ON TOP OF 4-INCH THICK CRUSHED SURFACING TOP COURSE. PROVIDE LID WITH "POWER" LEGEND.
2. PROVIDE GROUND ROD AND BRAID INSIDE HANDHOLE WITH METAL PARTS OR METAL LID. REFERENCE SPECIFICATION 16060.

6 **HANDHOLE DETAIL**
TYP NOT TO SCALE

M:\Ridgefield\18274-00 Abrams Park Well 11\Plonset\Electrical\E_DET.dwg, 5/5/2020, 4:18 PM, LIZ BATES



CITY OF RIDGEFIELD
EQUIP ABRAMS PARK WELL 11
ADDENDUM 1
ED-1
ELECTRICAL DETAILS



Gray & Osborne, Inc.
CONSULTING ENGINEERS